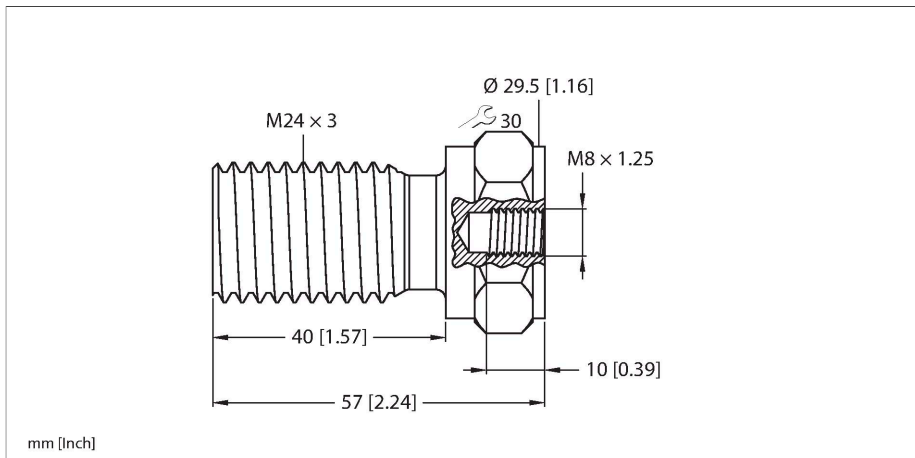


MA-M8-M24 Mounting Adapter



Technical data

Type	MA-M8-M24
ID	100050784

Features

- Female thread: M8 × 10 mm
- Male thread: M24 × 40 mm
- Stainless steel, V4A