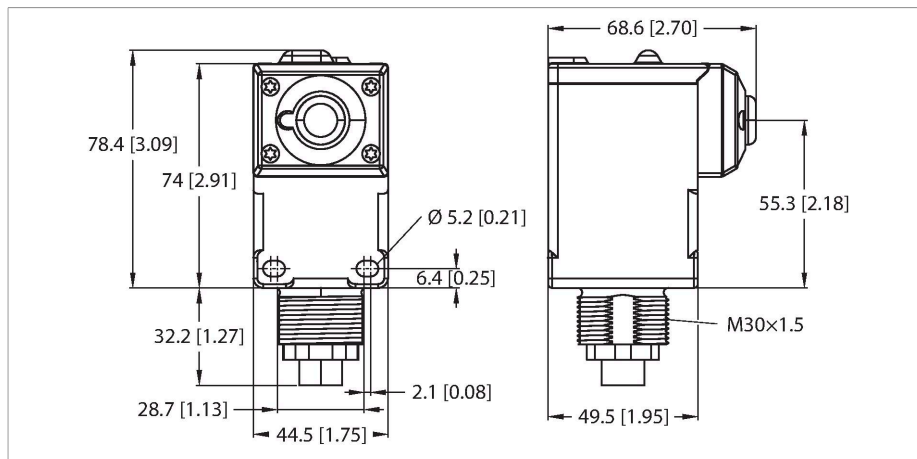


# DX80N2Q45VT

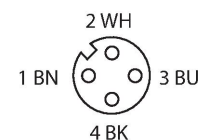
## Radio Transmission System – Basic Device for Type QM42VT1 Vibration and Temperature Sensors Node for Connecting External Sensors



### Features

- Protection class IP67
- Mechanical screw-in thread M30 × 1.5
- Connection via M12 × 1 female connector, 4-pin
- Integrated multi-color display lights
- 2.4 GHz frequency band
- Frequency hopping FHSS
- Time division multiplex access - TDMA
- Operating voltage: 3.6...5.5 VDC
- Current consumption: ≤ 100 µA
- Supply via 2x 3.6 V Li-ion AA batteries, supplied with the device
- FCC-ID UE300DX80-2400 This device complies with FCC para. 15, sub para. C, 15.247 ETSI/EN: In compliance with EN 300 328: V1.7.1 (2006-05) IC: 7044A-DX8024
- Radiation protection 10 V/m for 80-2700 MHz acc. to EN 61000-6-2

### Wiring diagram



### Functional principle

The Q45 wireless nodes can be integrated into a DX80 wireless network in star topology. Thanks to the integrated battery, these devices work fully autonomously and can be connected directly with any DX80 gateway or DXM controller. Some models include a sensor element or can be connected to external sensors or other transducers.

### Technical data

Type	DX80N2Q45VT
ID	3088439
<b>Wireless data</b>	
Type of radio	short-range
Installation	stationary
Topology	Star topology
Function	Vibration sensor
Device type	Wireless sensor
Frequency band	2.4-GHz ISM band
Frequency range	2.402...2.483 GHz
Number of radio channels	27
Channel width	2 MHz
Spread spectrum technology	FHSS (Frequency Hopping Spread Spectrum)
Single-Carrier Residence Time	7.8 ms
Response time typical	< 250 ms
Output power ERP	18 dB/65 mW
Output power EIRP	18 dB/65 mW
Range	1000000 mm
<b>I/O data</b>	
Number of channels	1/1
Input type	Vibration/temperature
Number of channels	4
Output type	4-color LED indicator

## Technical data

Depending on the type of operation, the battery service life may last several years.  
Conforms to EN 300 328: V2.2.2 (2019-02)

Communication protocol	1-wire-serial
<b>Electrical data</b>	
runs with battery	ja
Operating voltage	3.6...5.5 VDC
DC rated operational current	≤ 0.1 mA
Excess gain indication	LED, red
Power-on indication	LED, Green
<b>Mechanical data</b>	
Design	Rectangular, Q45
Dimensions	68.6 x 44.5 x 110.6 mm
Housing material	Plastic, PBT Lexan, Black
Electrical connection	Connector, M12 × 1, 4-pin
Antenna connection	Internal (wire loop)
Ambient temperature	-40...+70 °C
Storage temperature	-40...+70 °C
Relative humidity	0...90 %
Protection class	IP67
<b>Tests/approvals</b>	
MTTF	67 years acc. to SN 29500 (Ed. 99) 40 °C
Approvals	CE, cURus, CSA

## Accessories

BWA-BATT-006	3017987
Lithium-ion battery, 3.6 VDC, 2400 mAh, AA, GGV UN3090/CL9	

## Accessories

Dimension drawing	Type	ID
	QM30VT1	3806275