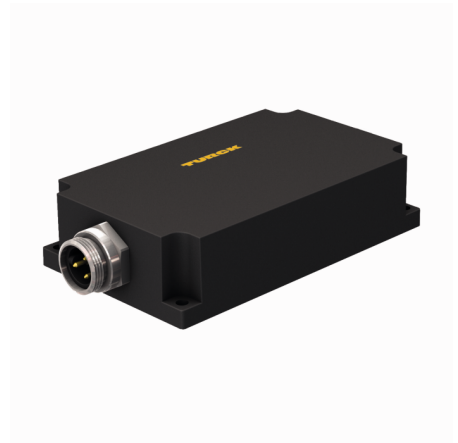
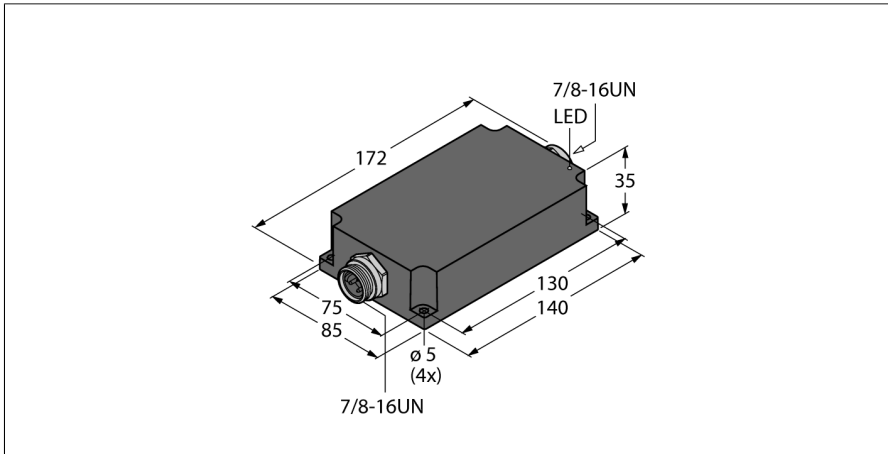


Compact power supply module in IP67

24 VDC output voltage - 3.8 A output current

PSU67-11-2440/M

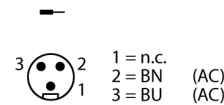


- Broad temperature range
- Status LED

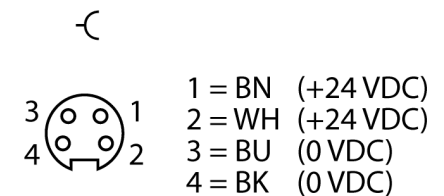
Type	PSU67-11-2440/M
ID	6884141

Nominal voltage	Universal voltage supply unit
Operating voltage	100...240 VAC
Frequency	50...60 Hz
Operating voltage	100...300 VDC
Power consumption	≤ 104 VA
Power dissipation, typical	≤ 11 W
External fuse	B10A, C10A
Mains buffering	Ui: 100...240 VAC/ 50 ms

7/8" Input Assignment



7/8" Output Assignment



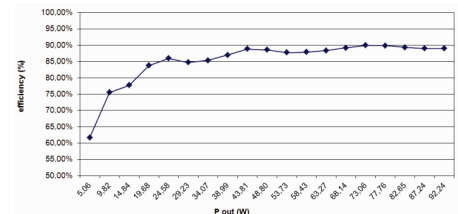
Nominal output voltage	24 V
Nominal current	3.8 A

Overload protection	105...130 %
Parallel mode	no
Ripple	240 mV
Short-circuit behaviour	Current limiting

Approval	CE-compliant UL-certified RoHS-compliant IEC 60950-1 / EN 61010-1 / UL60950-1 / UL508 (electrical safety) EN 61000-6-2 (interference immunity) EN 61000-6-3 (emitted interference) EN 61000-3-2 (harmonic)
----------	---

Operational readiness	Green
-----------------------	-------

Characteristic



Protection class	IP67
Ambient temperature	-25...+60 °C
Storage temperature	-40...+85 °C
Derating	2 %/K from 50 °C
Dimensions	85 x 172 x 35 mm
Weight	812 g
Housing material	Glass fiber-reinforced polyamide, PA66-GF25
Electrical connection	Connector
MTTF	87 years acc. to SN 29500 (Ed. 99) 40 °C