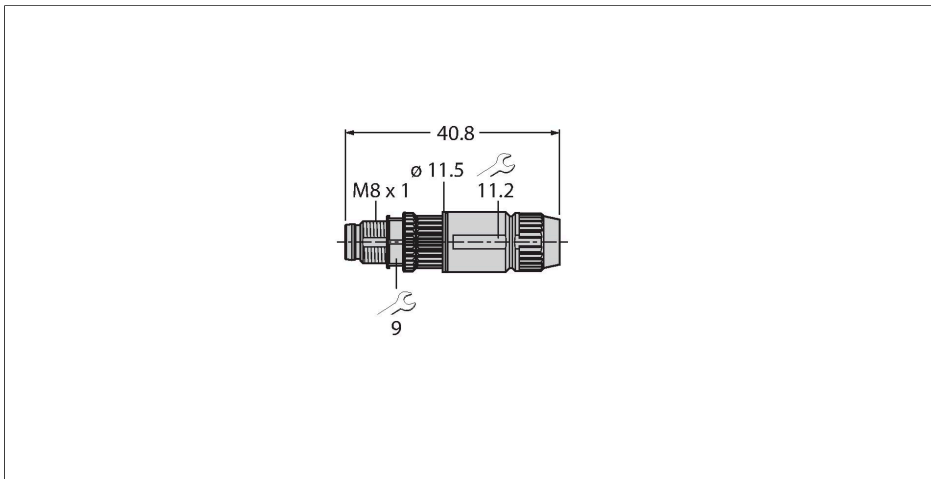


HAS5131-0

Field-Wireable Connector

Male Connector M8 × 1/Ø 8 mm, Straight

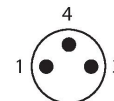


Features



- Metal coupling nut
- Protection class IP67
- IDC quick connection
- 3-pin
- Cable feedthrough 2.5...5.1 mm

Contact assignment



Technical data

Type	HAS5131-0
ID	6905402
Connector A	Male, M8 × 1, Straight
Number of Pins	3
Contacts	CuZn, Gold-plated
Contact carriers	Plastic, PA, Black
Connector body	PA, Black
Coupling nut/screw	Brass, CuZn
Screw-in thread seal	plastic, FPM/FKM
External diameter of the cable	2.5...5.1 mm
Core cross-section/Clamping ability	0.14...0.34 mm ²
Connection mode	Insulation displacement terminal
Protection class	IP67, (screwed together)
Electrical properties at +20 °C	
Rated voltage	32 V
Current	4 A
Insulation resistance	≥ 10 ⁸ Ω
forward resistance	≤ 5 mΩ
Mechanical and chemical properties	
Ambient temperature range (stationary)	-5...+50 °C