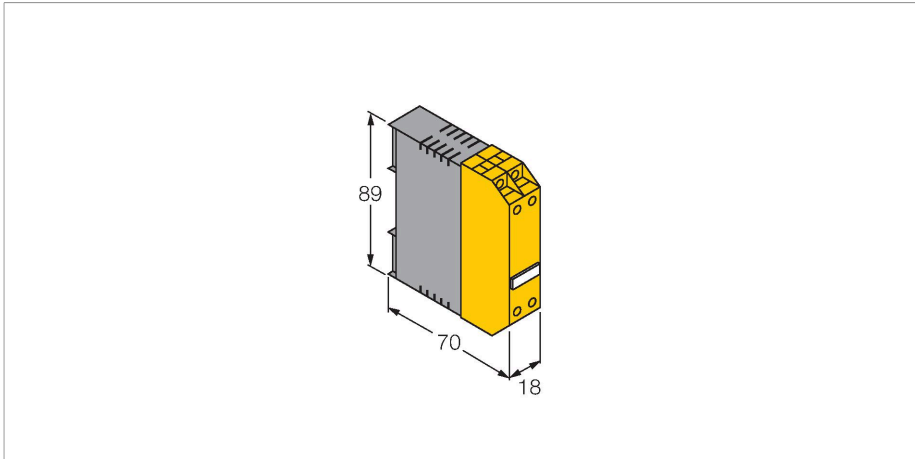


# MK96-VP01

## Processor Unit – For the Connection of FCS Product Series Non-Ex Flow Sensors

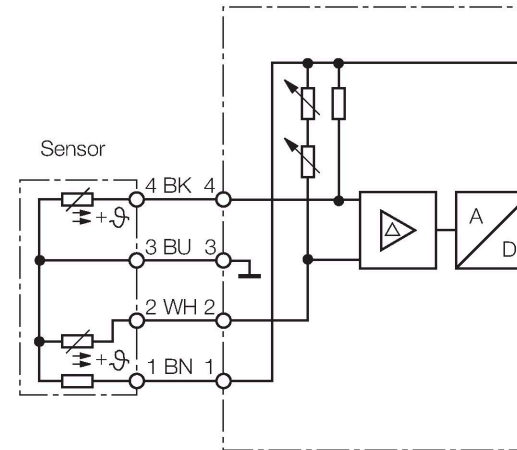
### Device with Transistor Switching Output (PNP)



#### Features

- For connection of a standard flow sensor
- Adjustment via potentiometer
- 6 LEDs for display of the flow state
- 2-wire DC, 19.2...28.8 VDC
- Antivalent PNP output

#### Wiring diagram



#### Technical data

Type	MK96-VP01
ID	7525002
Operating voltage $U_b$	19.2...28.8 VDC
Flow monitoring	Transistor output
Terminal cross-section	$\geq 1.5... \leq 2.5 \text{ mm}^2$
<b>Tests/approvals</b>	
Design	Signal processor
Dimensions	89 x 70 x 18 mm
Housing material	Plastic, Polycarbonate/ABS
Ambient temperature	-20...+60 °C
Protection class	IP20

#### Functional principle

The signal processors not only supply immersion and inline flow sensors with voltage, they also process and display measured signals. Devices of the MK96... and FM-IM-... models are available. The individual models are designed for different operating voltages and feature various output and supplementary functions. For Ex flow sensors, it is required to use signal processors with intrinsically safe input circuits of the FMX-IM-... product series.